

RemediAirTM ACTIVE AIR REMEDIATION

*A Breath of **Fresher Air**...Indoors*

RemediAir is a compact, wall mounted *innovation* to help combat indoor environmental contamination. Using the proven science of Photocatalytic Oxidation (PCO) & dual UV technology, it actively destroys harmful airborne **bacteria, virus, mold, fungi & odors**. RemediAir adds revolutionary technologies to remove airborne particulates down to 0.0001 microns (better than a HEPA filter) AND **reduces microorganisms** on all surrounding **surfaces** too.

Scientifically **ENGINEERED TO** **REMEDiate** INDOOR **AIR...24/7**



REMOVES ODORS, CONTROLS INFECTION & IMPROVES HYGIENE

- Reduces harmful airborne viruses
- Destroys unwanted bacteria
- Removes microbes from the air
- Eliminates odors at the source
- Helps maintain sanitized surfaces
- Stops mold & fungi growth
- Breaks down airborne **VOC's**
- 24/7 workplace hygiene protection

PERFECT FOR USE IN:

- ⇒ Commercial Food Service
- ⇒ Retail Stores, Salons & Spa
- ⇒ Exercise facilities, Gyms
- ⇒ Offices, Medical offices
- ⇒ Social clubs & Churches
- ⇒ Schools & Higher Education
- ⇒ Car dealers & waiting rooms
- ⇒ Daycare & Pre-Schools
- ⇒ Dentists & Specialty Medical
- ⇒ Music venues & theaters

EarthBio
Technologies

© 2020 All rights reserved. Ecotek LLC

****For More Details...***

888.855.1925

email: info@earthbio.com

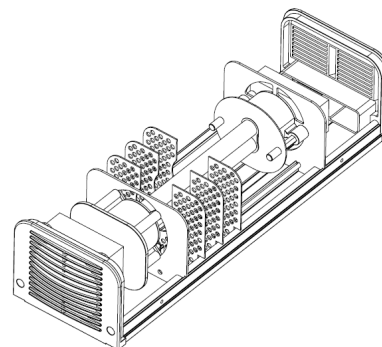
visit: www.earthbio.com

HOW **RemediAir** TECHNOLOGY WORKS

A combination of technologies working together

Internal Technology:

- Germicidal Irradiation - UV light
- PCO – Photocatalytic Oxidation
- Dual Waveband UV



Internal Details:

- Germicidal Irradiation by dual UV light (Ultraviolet) kills microorganisms (bacteria, viruses and mould) by disrupting their DNA and removing their reproductive capabilities.
- PCO – Photocatalytic Oxidation, UV reacts with our Catalyst (TiO₂) to form highly reactive but short-lived oxidising Hydroxyl Radicals (OH) which break down Volatile Organic Compounds (VOCs).

Interaction of the dual UV wavebands with the TiO₂ heterogeneous catalyst both creates and breaks down Oxygen molecules transforming Oxygen into a highly reactive state of Ozone and Superoxide Ions which leave the unit (external) as “Plasma Quatro”.

Transmitted Technology (External):

- Superoxide Ion Generation
- Triatomic Oxygen Sterilization

External Details:

- The negatively charged Superoxide Ions charge airborne contaminants causing them to cluster together and fall from the air as they become too heavy, aiding all other processes. This can remove airborne particulates down to 0.0001 microns, that’s better than any HEPA filter.
- Triatomic Oxygen (O₃) is produced via the dual UV lamp and gets to hard to reach areas breaking down contamination in the air and on exposed surfaces. Targeted O₃ damages the cell wall of microorganisms, stopping the reproductive process which effectively eliminates cell growth and capacity to multiply.