

The Better Way

RESIDENTIAL | COMMERCIAL

ScrapDrain™

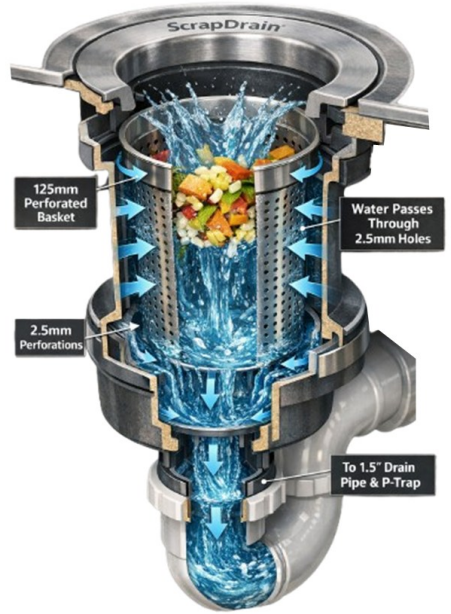
SINK SOLIDS SEPARATOR

A BETTER WAY FOR TODAY

ScrapDrain is the sustainable sink guard for the modern kitchen. It separates waste scrap BEFORE it goes down the drain with greater capacity and finer capture.

THE DEEP INTERNAL BASKET SEAMLESSLY STRAINS SOLIDS FOR EASY & TIDY TRANSFER.

Wash & rinse dishes as normal while ScrapDrain strains away the liquid, separates out solids, and presents a one-step tidy transfer for composting, municipal pickup or drop-off recycling program.



ScrapDrain - THE SUSTAINABLE CHOICE FOR THE MODERN KITCHEN

ENVIRONMENTAL & FUNCTIONAL BENEFITS WITH ScrapDrain:

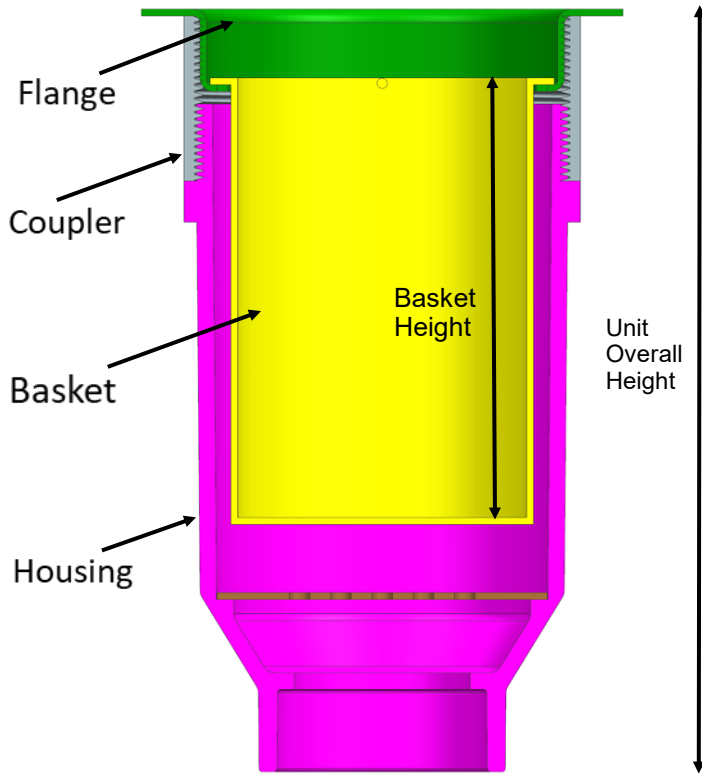
- **IMPROVES** wastewater quality by reducing total suspended solids and FOG¹
- **PREVENTS** clogs in kitchen drains, sewer lines, septic systems & grease traps
- **SIMPLIFIES** sink scrap collection & streamlines transfer to a compost option
- **DIVERTING** food waste from LANDFILL helps to reduce greenhouse gases
- **REPLACES** electric disposals with better solids prevention & less water use



EarthBio
Technologies
scrapdrain.com

¹FOG is the wastewater industry term for **Fats, Oils & Grease**

SPECIFICATIONS & DIMENSIONS



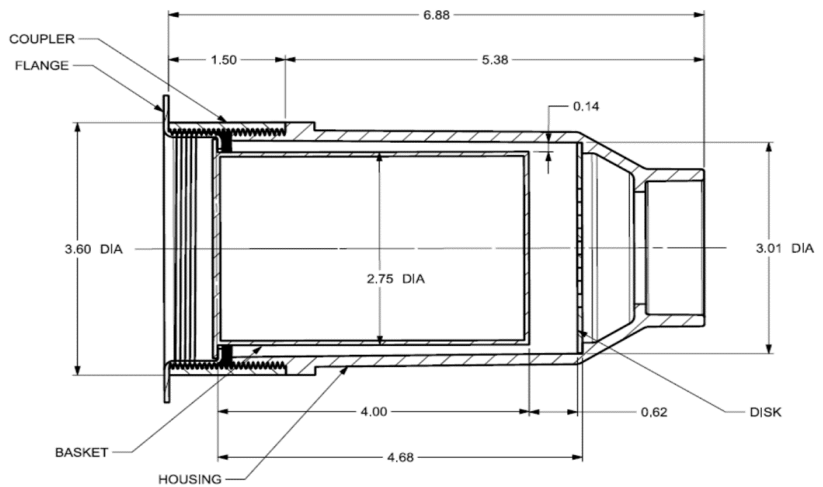
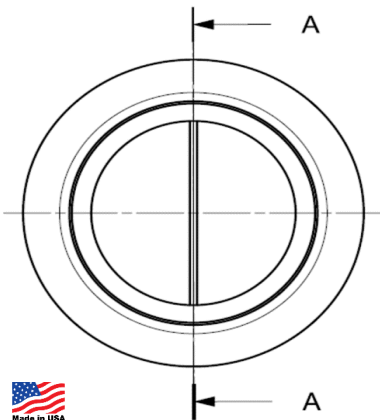
Models & Dimensions

Item#: **SD-50 & SD-50-F**
 Overall Height: 7-1/2 in.
 Basket Height: **5 in.**
 Basket Capacity: 25 cu.in.
 Drain Opening: 3-1/2 in. | 89mm

Standard | FINE



Item#: **SD-65**
 Overall Height: 9 in.
 Basket Height: **6.5 in.**
 Basket Capacity: 32 cu.in.
 Drain Opening: 3-1/2 in. | 89mm



SECTION A-A